

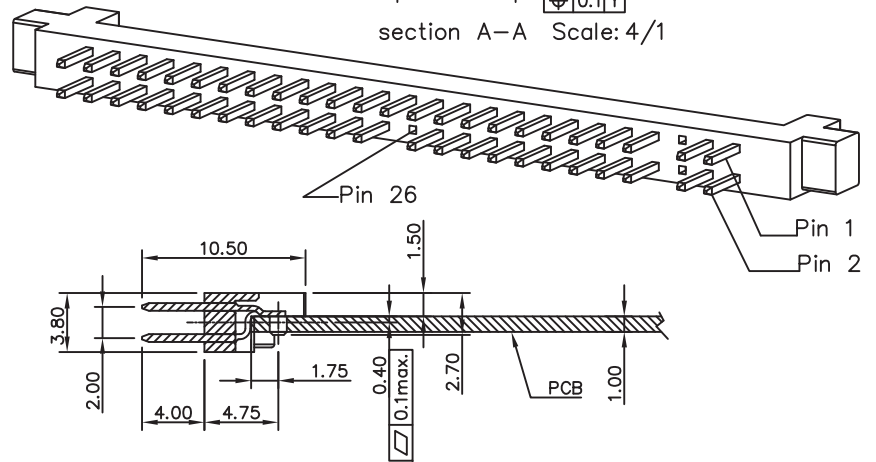
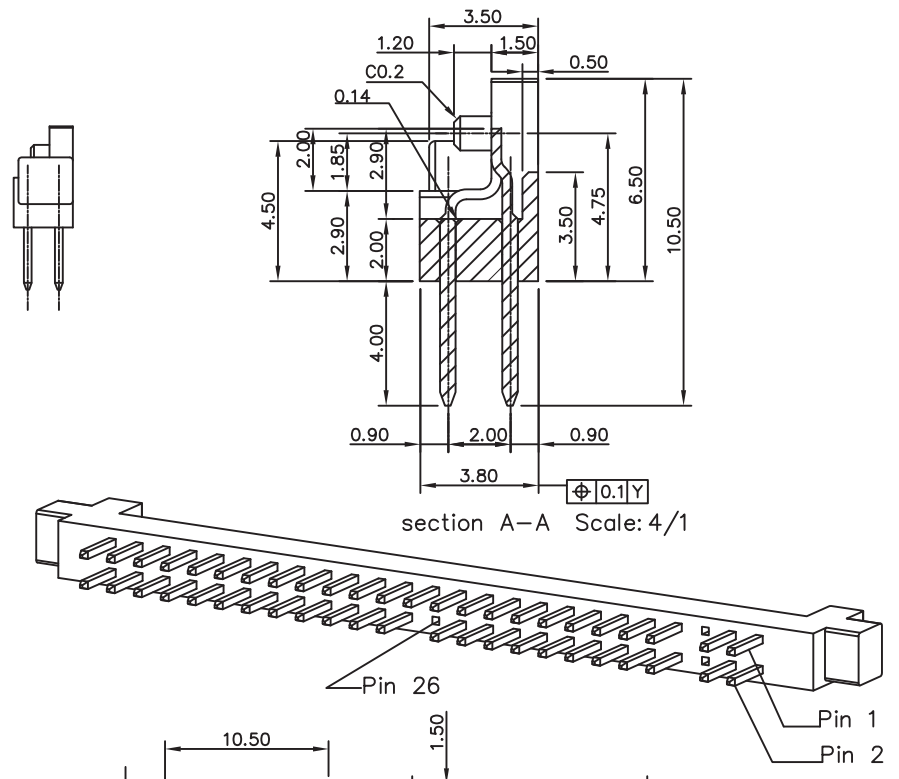
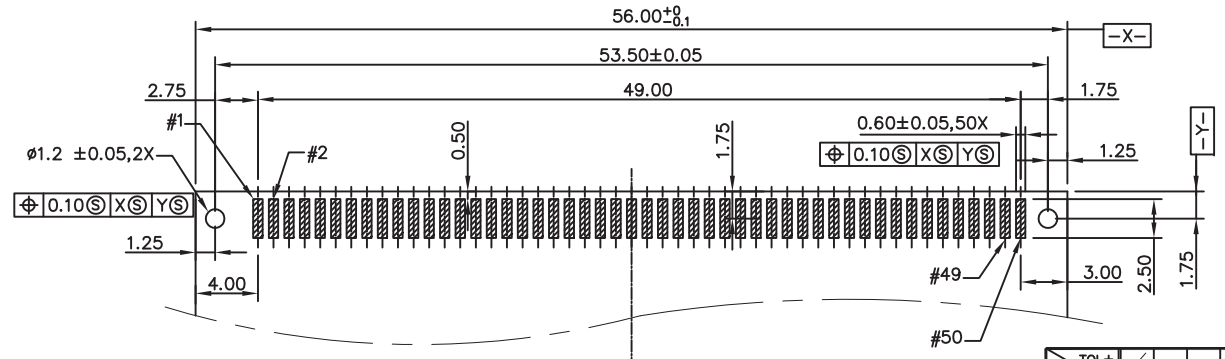
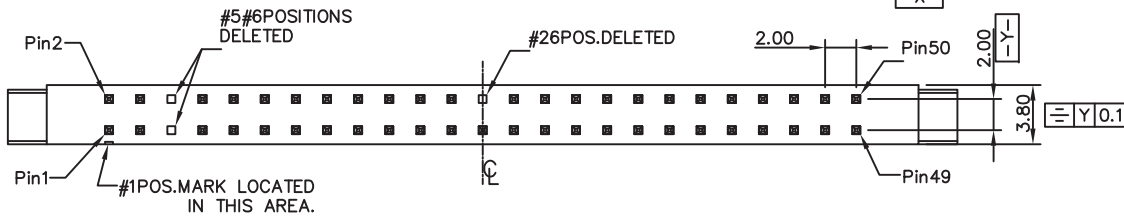
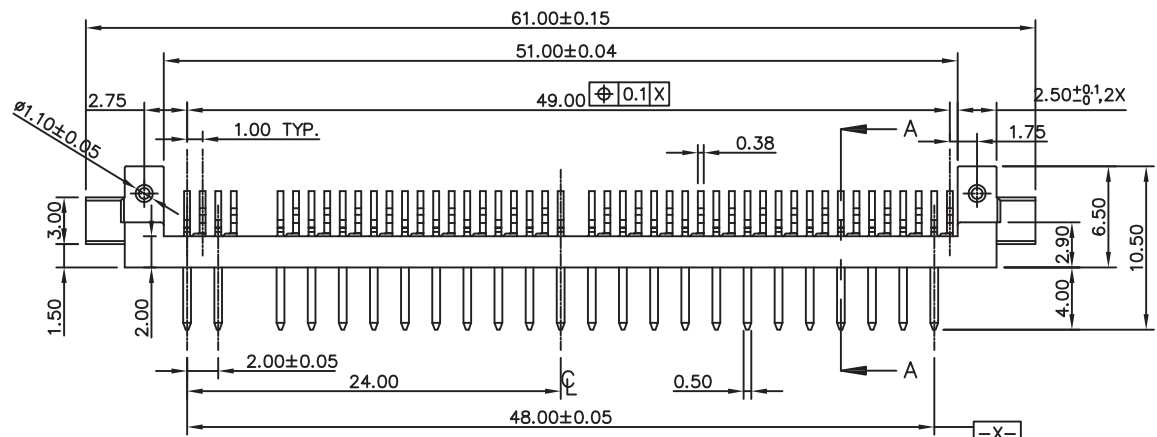
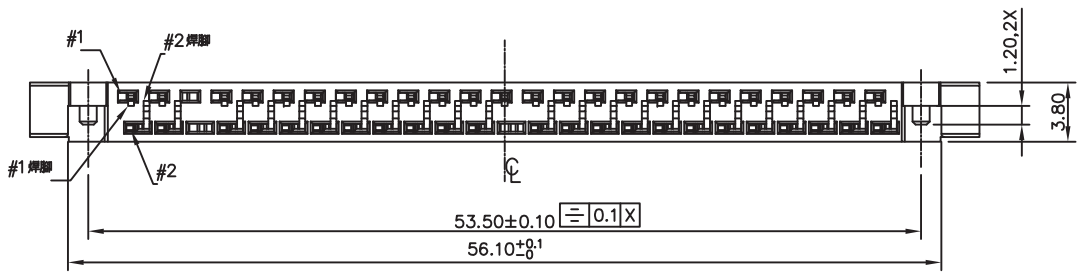
TOL±	M1	M2	S1	S2	P1	P2	C	USR	MODEL	DESCRIPTION
0~6	.05	0.1	0.15	0.2	.05	0.1	0.5			2.5" SSD IDE ASS'Y (STAINLESS + PLASTIC) (無鉛)
6~30	0.1	0.2	0.25	0.3	0.2	0.4	1		DATE	2010/10/2
30~80	.15	0.25	0.2	0.3	0.2	0.4	2		DRN	MAX
80~180	.15	0.3	0.25	0.45	0.4	0.8	3		CKD	
180~315	0.2	0.5	0.4	0.6	0.6	1.2	3		APPD	
315~800	0.3	0.8	0.7	1.1	0.8	1.5	4			
ANG. TOL±	0°~30°	0.2°	30°~60°	0.5°	60°~90°	1°				

DATE	2010/10/2	DWG NO.		REV	1.0
DRN	MAX	P/N NO.		SCALE	1/1
CKD				DIM	MM
APPD				SIZE	A4

Evertron Technology

MARK	REV	DESCRIPTION	SIGN	DATE

- NOTES: 1.MATERIAL:ENGINEERING PLASTIC, LCP WTH 30% G.F.,UL94V-0 RATED, COLOR BLACK.
 2.FINISH:
 -UNDERPLATING:1.27um (50u")NICKEL UNDERPLATNIG
 -CONTACT AREA:
 0.25um(10u")AU IN CONTACT AREA OVER NICKEL UNDERPLATING.
 -SOLDERING ZONE:3.0um(120u")MIN. 100%TIN PLATING OVER NICKEL UNDERPLATING.
 3.USING ALL MATERIAL TO ACCORD WITH RoSH CODE.



PCB LAYOUT

TOL±	M1	M2	S1	S2	P1	P2	C	USR	MODEL	DESCRIPTION
RANGE	0~6	.05	0.1	0.15	0.2	.05	0.1	0.5	ET1-01-01	IDE 50pin connector
	6~30	0.1	0.2	0.15	0.25	0.1	0.15	1	DATE	07/11/2007
	30~80	.15	0.25	0.2	0.3	0.2	0.4	2	DRN	ying
	80~180	.15	0.3	0.25	0.45	0.4	0.8	3	CKD	
	180~315	0.2	0.5	0.4	0.6	0.6	1.2	3	APPD	
	315~800	0.3	0.8	0.7	1.1	0.8	1.5	4		
ANG. TOL±	0°~30°	0.2'	30°~60°	0.5'	60°~90°	1'				

DATE	07/11/2007	DWG NO.	ET101-013010	REV	1.0
DRN	ying	P/N NO.	ET101-1013010	SCALE	2/1
CKD				DIM	MM
APPD				SIZE	A4

EVERTRON