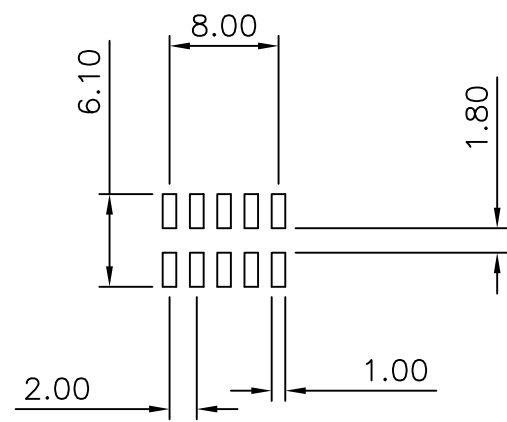


Current Rating: 2 Amps
 Insulator Resistance: 5000 Megohms min
 Contact Resistance: 20 m ohms max
 Dielectric Withstanding: 500 V AC
 Operating Temperature: - 40° ~ +105° C
 Max Processing Temp: 230° C for 60 seconds
 260° C for 10 seconds
 Contact Material: Phosphor Bronze
 Insulator Material: Polyester,UL 94V-0
 Standard:Nylon-6T

Finish: Tin,Gold Plated
 Standard:Gold Flash all over

Recommended P.C. Board
 SMD Layout



(RoHS Compliant) P2 N 35 - 2 05 D1 BK X A01 B
 1 2 3 4 5 6 7

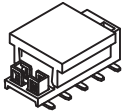
- 1. Standard: Nylon-6T
- 2. Circuits: 10pin
- 3. Tail Style:
D0= S.M.D W/O Peg
D1= S.M.D With Peg
- 4. Color: BK=Black
WH=White
- 5. Contact Plated:
T=Matte Tin over Nickel
W=Matte Tin over Nickel 150u"
Y=Bright Tin over Nickel
C=Gold Flash
F=Gold Flash,Matte Tin 100u"
A=Gold 3u"
B=Gold 3u",Matte Tin 100u"
- D=Gold 5u"
E=Gold 5u",Matte Tin 100u"
G=Gold 10u"
J=Gold 10u",Matte Tin 100u"
L=Gold 15u"
M=Gold 15u",Matte Tin 100u"
U=Gold 30u"
V=Gold 30u",Matte Tin 100u"
- 6. A01= BLOCK
02 or 09 pin
- 7. Packing:
B =T&R

EVERTRON		PART NO	P2N35-205D1BKCA01B		.X ±0.3	.XX ±0.20	.XXX ±0.100
BOM	1:	DRAWING NO	P200-T0161	EDITION: T	ITEM: P200		
	2:	DRAWN BY	HUNTER	2013/02/05	SCALE: 1:1		
	3:	APPROVAL BY	Peter pan	2013/02/05	UNIT: m.m		

NOTE:

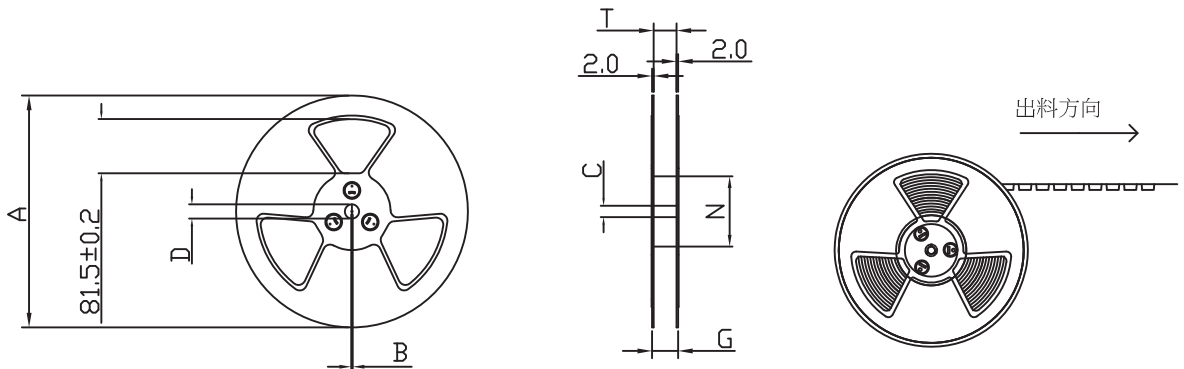
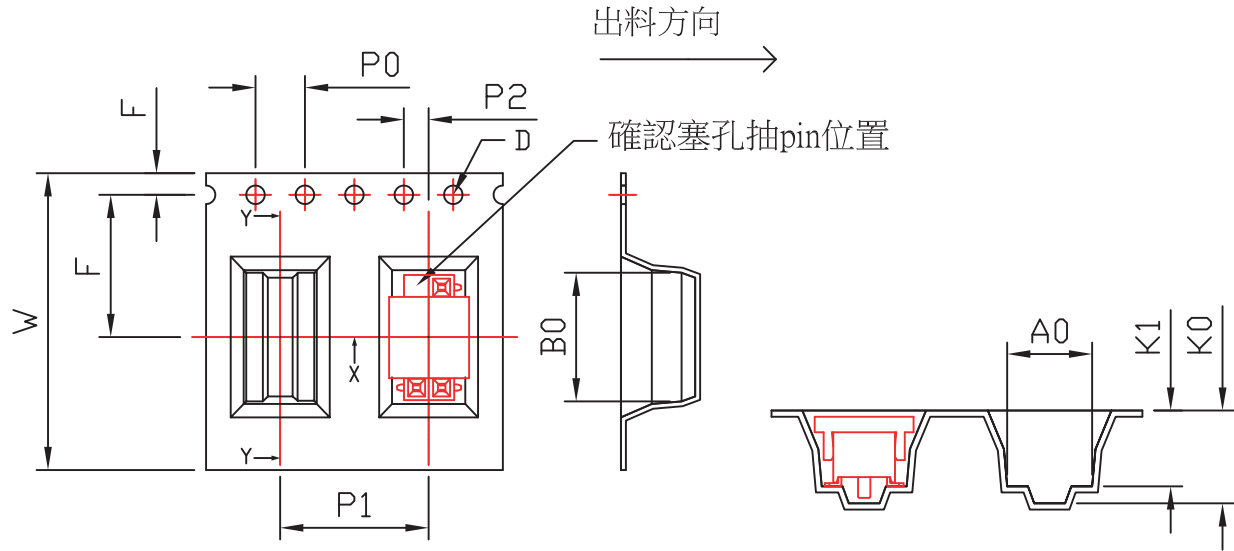
1. 10 sprocket hole pitch cumulative tolerance±0.2
2. Carrier camber is 1mm in 100mm
3. A0 and B0 measured on a plane 0.3mm above the bottom of the pocket
4. K0 measured from a plane on the inside bottom of the pocket to the top surface of the carrier
5. All dimensions meet EIA-481-D requirements
6. 13"1R=10.5M 800PCS

DEVICE TYPE: P2X35-205D1BKXA01P MATERIAL : P.S 0.40 BLACK



ITEM	A0	K0	K1	P1	E	D	P0	P2
DIM	5.5 ^{+0.1} _{-0.1}	6.00 ^{+0.1} _{-0.1}	4.90 ^{+0.1} _{-0.1}	12 ^{+0.1} _{-0.1}	1.75 ^{+0.1} _{-0.1}	1.5 ^{+0.1} _{-0.0}	4.0 ^{+0.1} _{-0.1}	2.0 ^{+0.1} _{-0.1}

CIRCUITS	W	B0	F
1x5 pin	24	10.40	11.50



Dimension							Carrier Tape
A	B±0.5	C±0.2	D±1.0	N±1.0	T±0.1	G±0.1	W
330	2.2	13	20.2	100	8.5	13.1	8
330	2.2	13	20.2	100	12.5	17.1	12
330	2.2	13	20.2	100	17	21.1	16
330	2.2	13	20.2	100	24.5	29.1	24
330	2.2	13	20.2	100	32.5	37.0	32
330	2.2	13	20.2	100	44.5	49.1	44
330	2.2	13	20.2	100	56.5	61.1	56
330	2.2	13	20.2	100	72.5	77.1	72
330	2.2	13	20.2	100	88.5	93.1	88

EVERTRON	PART NO	P2X35-205D1BKXA01P (T&R)		.X ±0.3	.XX ±0.20	.XXX ±0.100
	DRAWING NO	BOX-T0079	EDITION: T	ITEM: TR		
	DRAWN BY	JARRY	2013/11/26	SCALE: 1:1		
	APPROVAL BY	Peter pan	2013/11/26	UNIT: m.m		