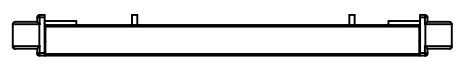
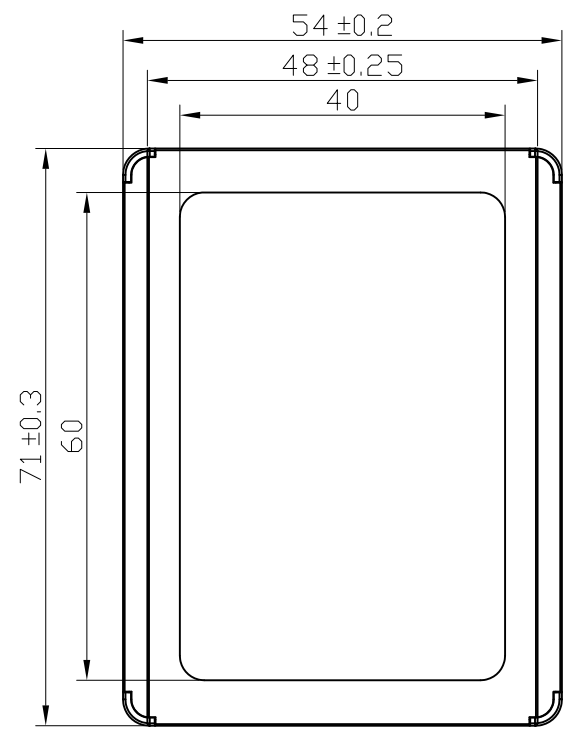
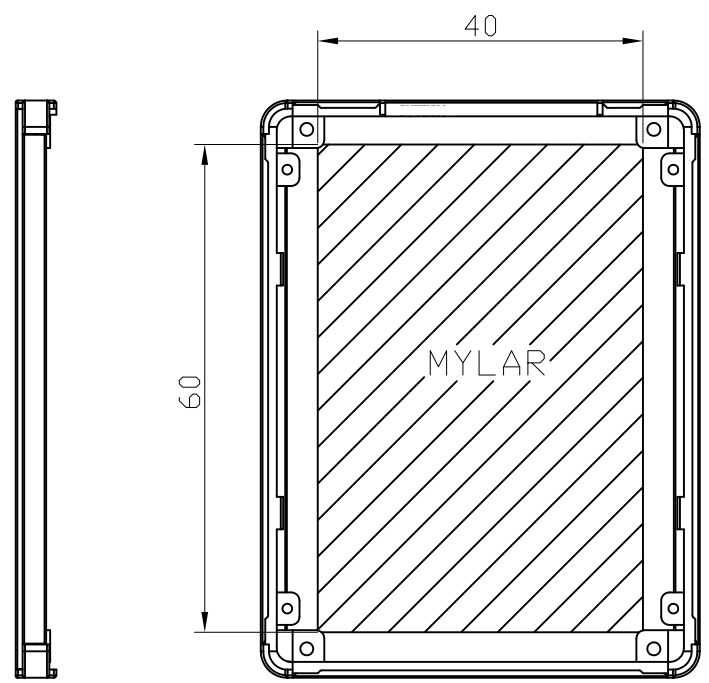
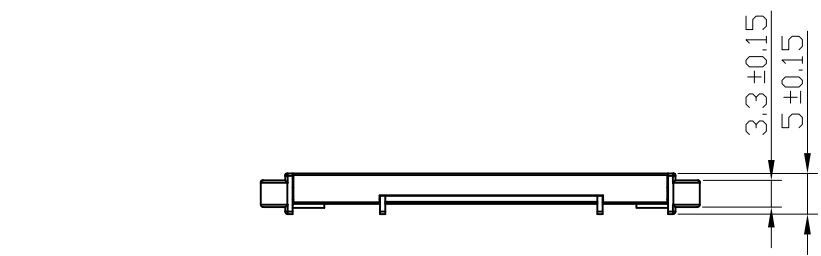


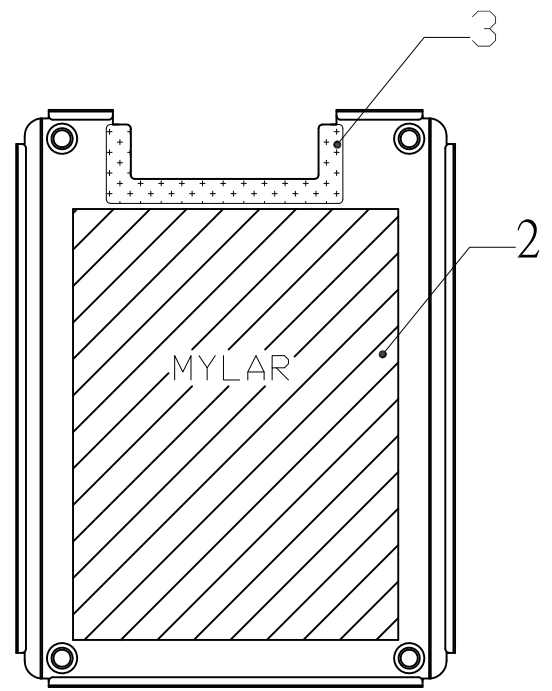
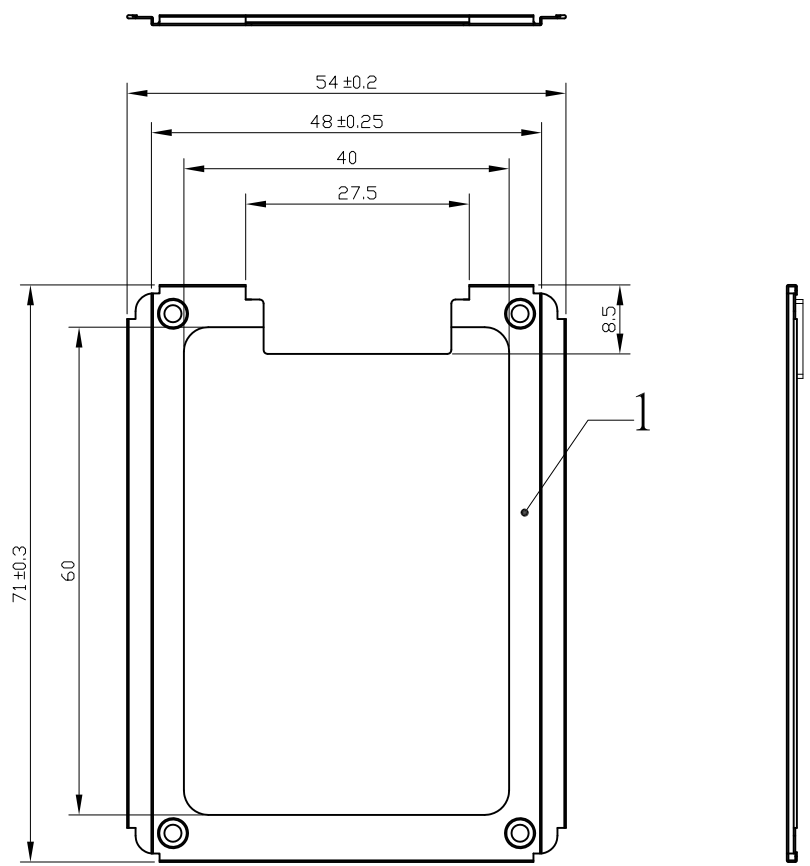
REV	11
△	ECN



NOTES:

1.MATERIAL: SUS304 T= 0.2MM

UNIT RATIO		EVERTRON	
MM			
TOLERANCE		DATE: 10/01-10	
X.X ±	0.25	1.8" SSD ZIF TOP ASS'Y	
X.XX ±	0.2	PART NUMBER	
HOLE		DRAW: Hank	CASE-TB10-2
ANGLE		CHECK: Ken	REV △



NOTES:

1.MATERIAL: SUS304 T= 0.2MM

3	Rubber	U support FOR ZIF T=1.8mm
2	MYLAR	PET t=0.075mm
1	BOT COVER	SUS304 t=0.2mm
P/N	PART NAME	MATERIAL
UNIT RATIO		EVERTRON
MM		
TOLERANCE		1.8" SSD ZIF BOT ASS'Y
X.X±	0.25	
X.XX±	0.2	DATE: 10/01-10
HOLE		DRAW: Hank
ANGLE		CHECK: Ken
		PART NUMBER
		CASE-BB10-2
		REV
		PAGE 1 OF 1