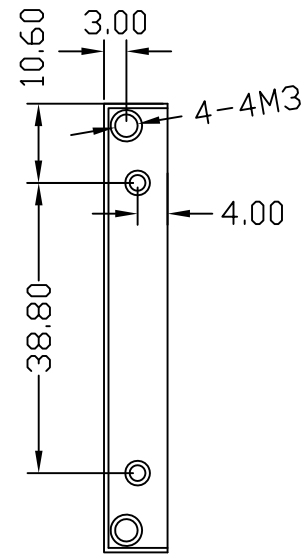
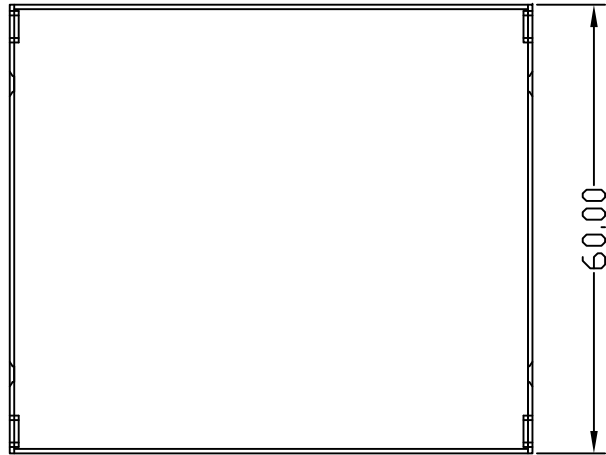
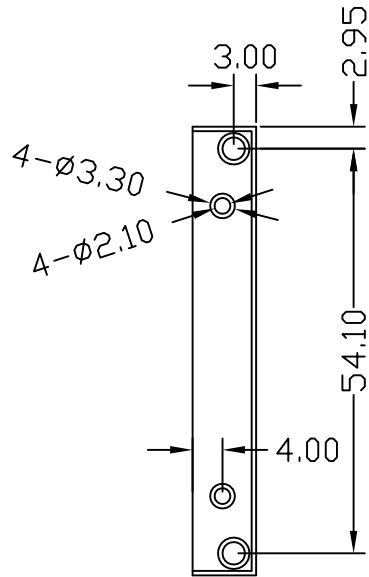
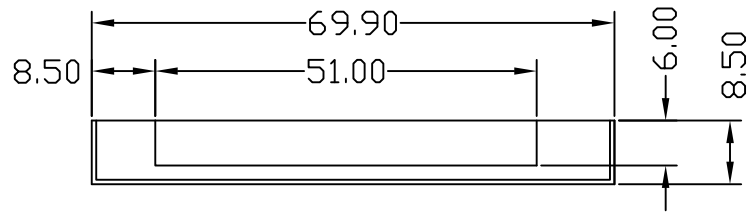


REV	ECN
△	



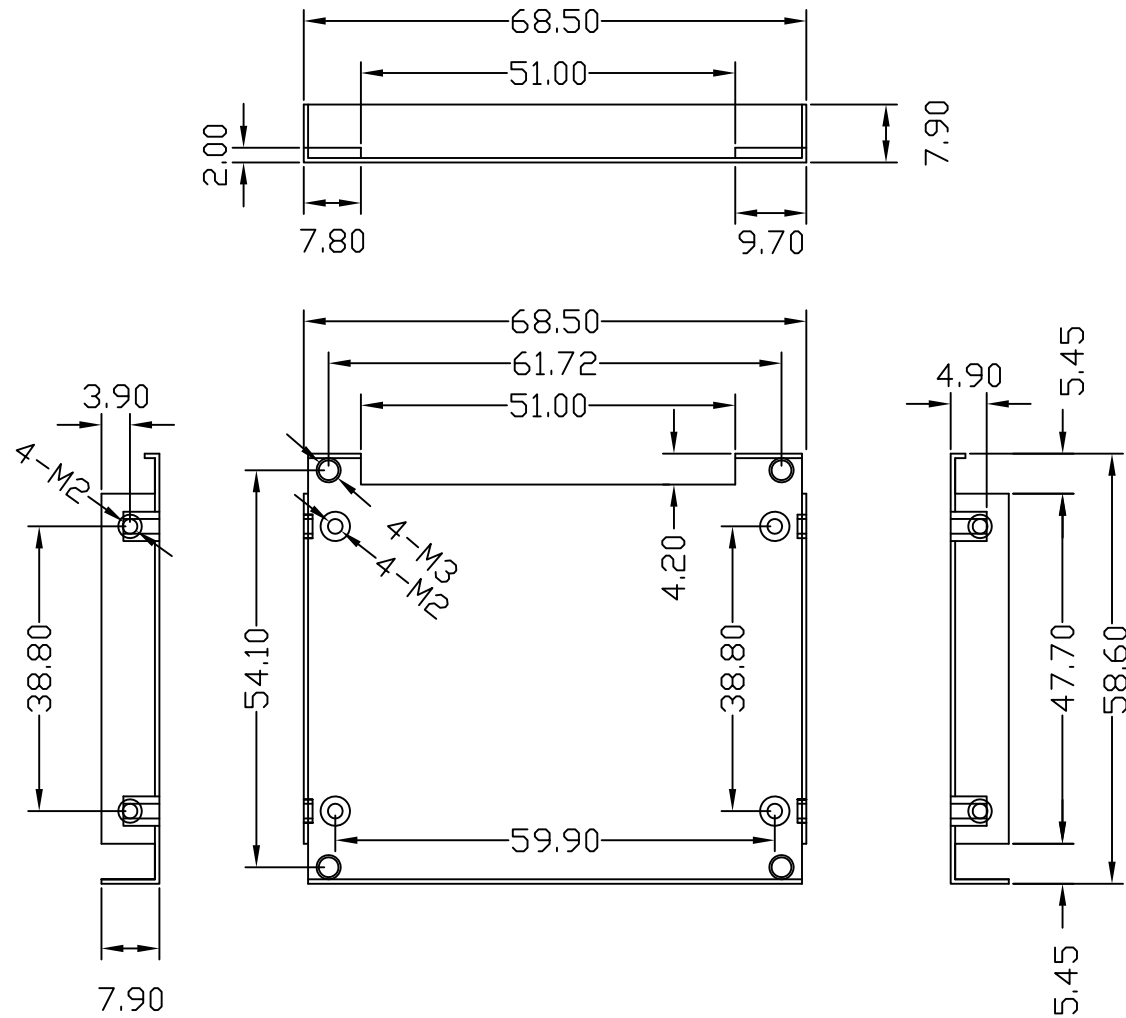
1.8吋SSD-IDE-上蓋

NOTES:

- 1.MATERIAL:SPCC
- 2.SURFACE TREATMENT:BLACK PAINTING

UNIT	RATIO	EVERTRON	
MM			
TOLERANCE		SSD CASE (top shell)	
x.xx±			
x.xxx±			
HOLE	DRAW: Hank	PART NUMBER	REV
ANGLE	CHECK:	CASE-TB10-1	△

REV	11
△	ECN



NOTES:
 1.MATERIAL:SPCC
 2.SURFACE TREATMENT:BLACK PAINTING

1.8吋SSD-IDE-下蓋

UNIT	RATIO	EVERTRON	
MM		SSD CASE (bottom shell)	
TOLERANCE		DRAW: Hank	PART NUMBER
X.X±		CHECK:	CASE-BB10-1
X.XX±			REV
HOLE			△
ANGLE			