

A

B

C

D

E

F

G

H

A

B

C

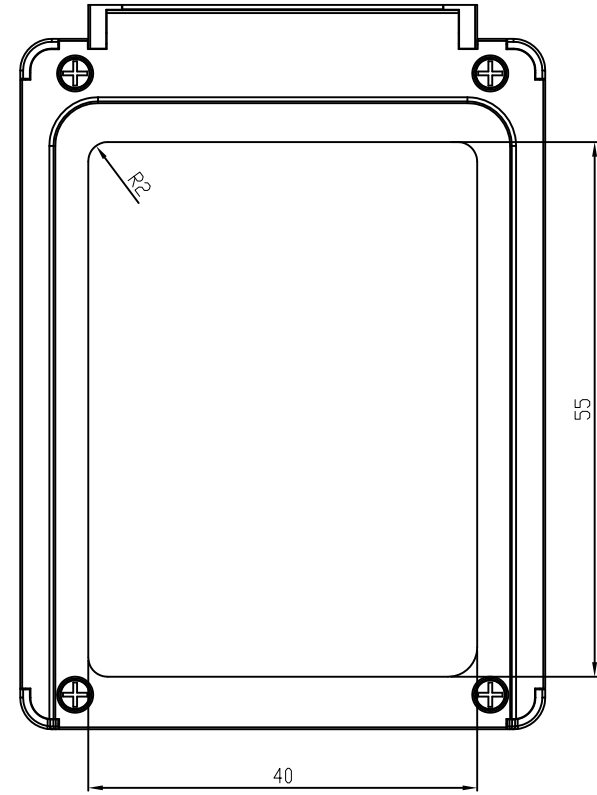
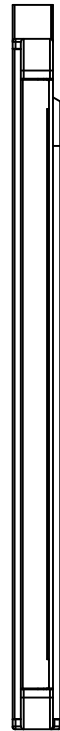
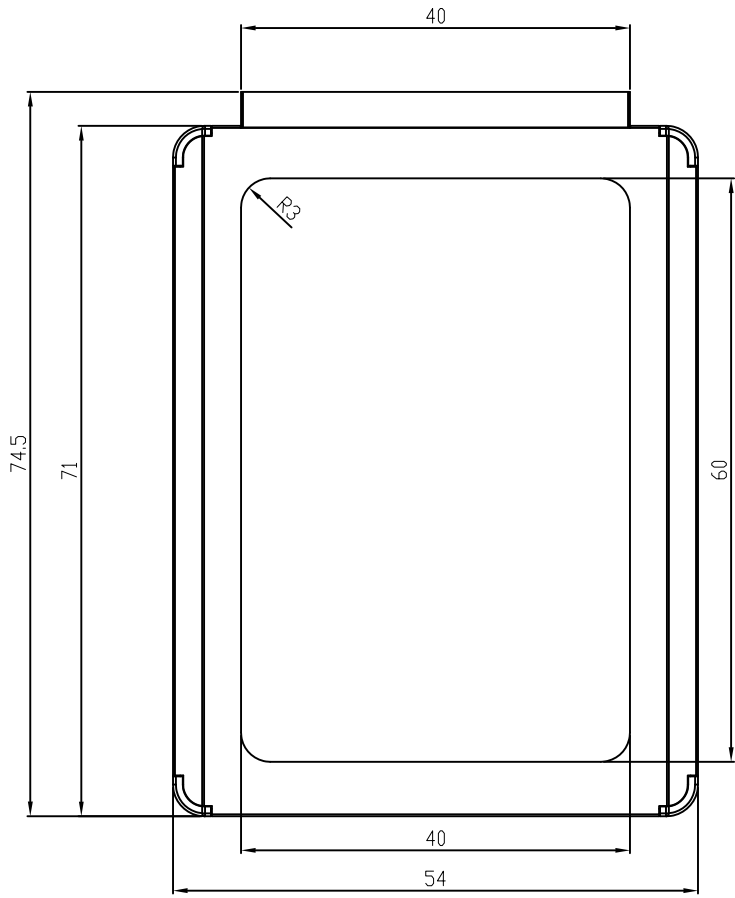
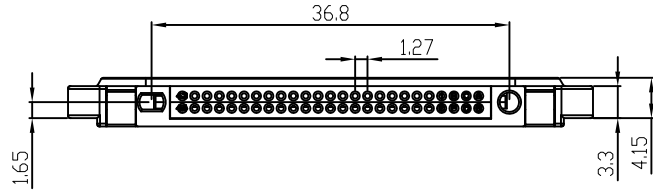
D

E

F

G

H



NOTES:

1.MATERIAL: SUS304 T= 0.2MM

UNIT	RATIO	EVERTRON	
MM			
TOLERANCE			
X.X±	0.25	DATE: 10/01-10	1.8" SSD CF 50PIN
X.XX±	0.2		
HOLE		DRAW: Hank	PART NUMBER
ANGLE		CHECK: Ken	CASE-BB09-1
			REV △