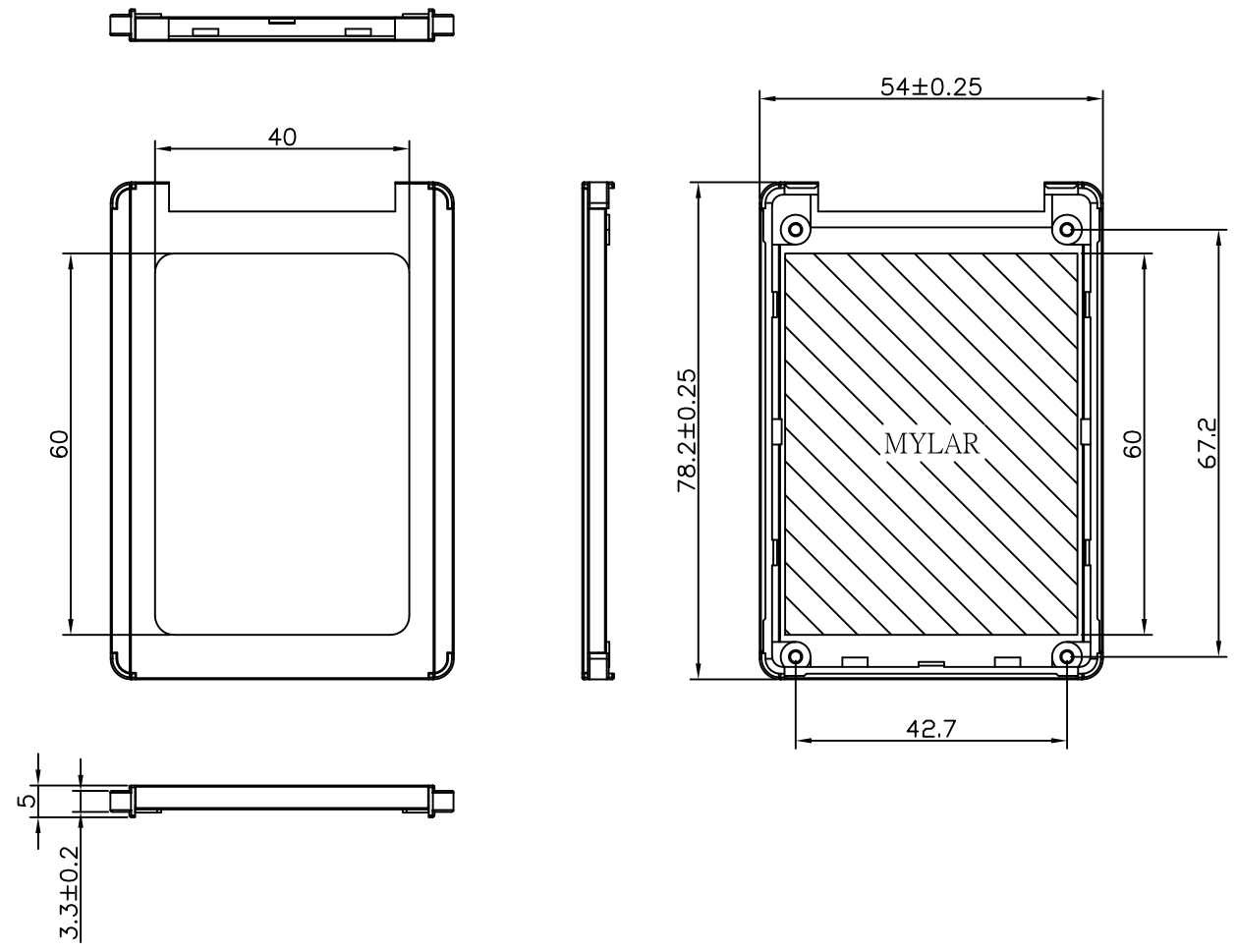


REV	ECN
△	

NOTES:
 1.MATERIAL:SUS304 T=0.2MM

UNIT RATIO		EVERTRON	
MM			
TOLERANCE		SUS	
X.X±	0.25	DATE: 09/26-11	1.8" SSD CASE (bottom shell)
X.XX±	0.2		
HOLE		DRAW: Hank	PART NUMBER
ANGLE		CHECK: Ken	CASE-BB03-1
			REV △

REV	11
△	ECN



NOTES:
1.MATERIAL:SUS304 T=0.2MM

UNIT	RATIO	EVERTRON	
MM			
TOLERANCE	SUS	1.8" SSD CASE (top shell)	
X.X ±	0.25	DATE: 09/26-11	
X.XX ±	0.2		
HOLE		DRAW: Hank	PART NUMBER
ANGLE		CHECK: Ken	CASE-TB03-1
			REV
			△