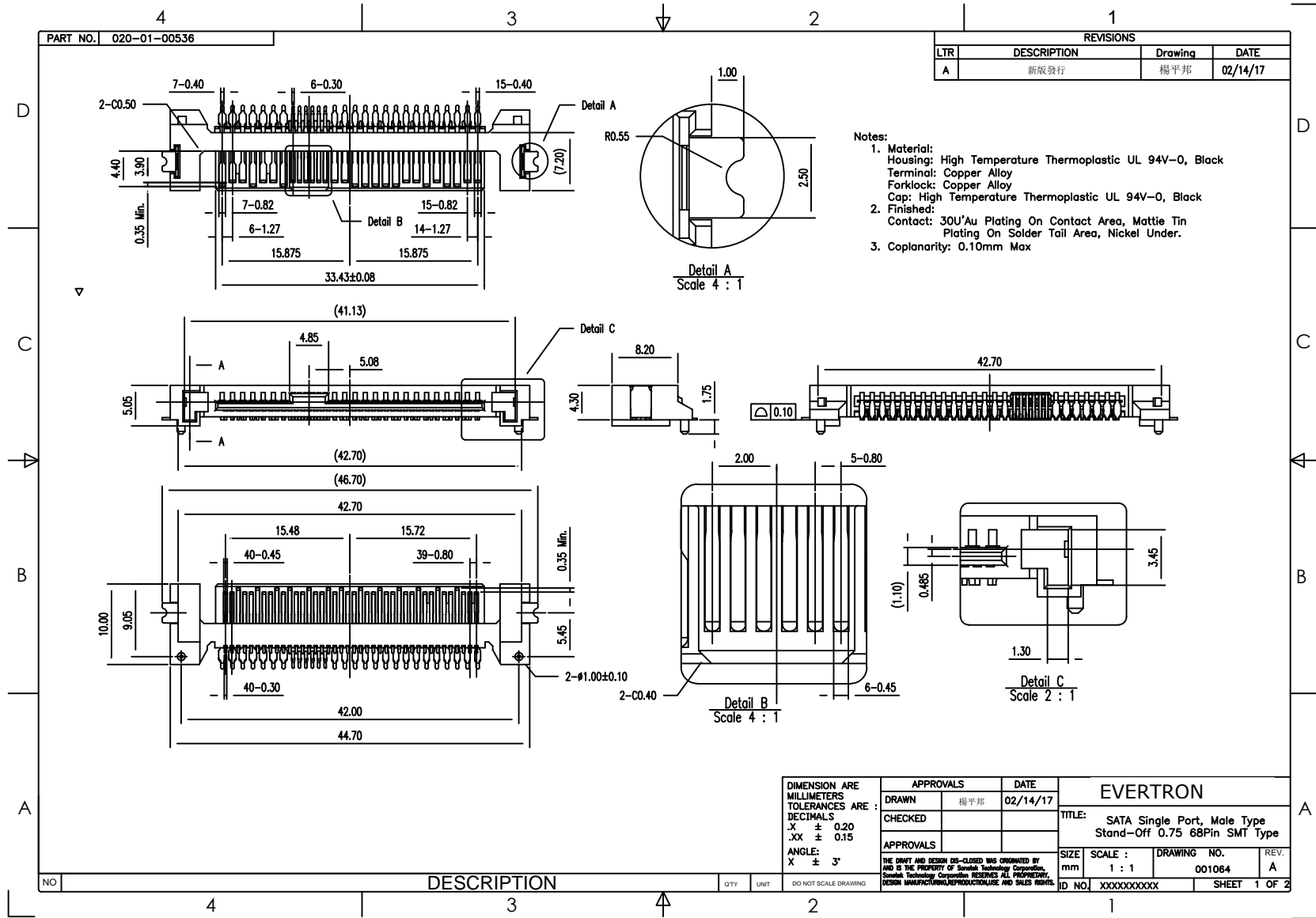


PART NO. 020-01-00536

REVISIONS			
LTR	DESCRIPTION	Drawing	DATE
A	新版發行	楊平邦	02/14/17

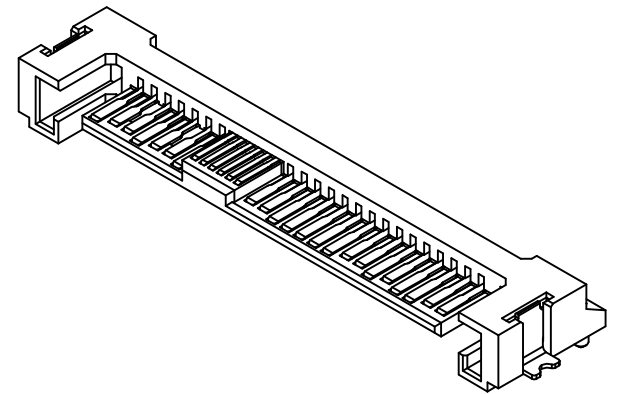
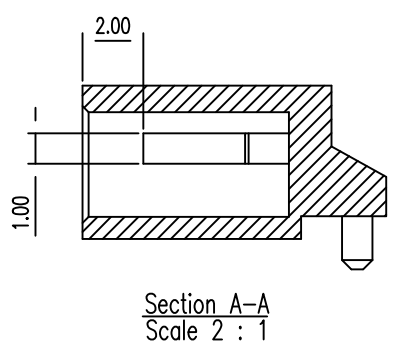
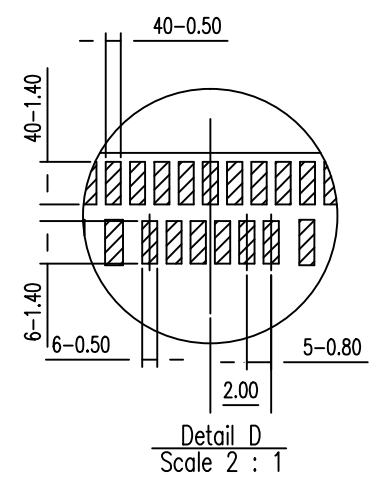
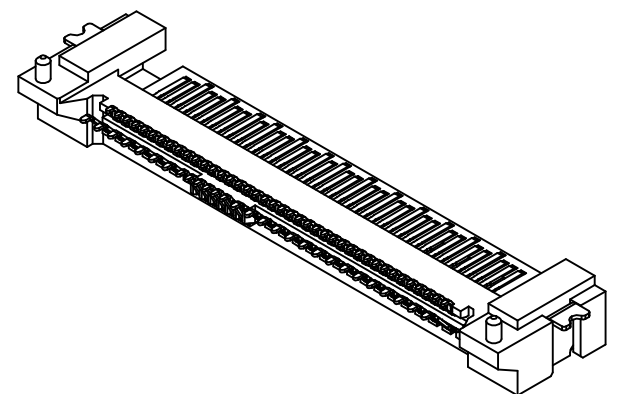
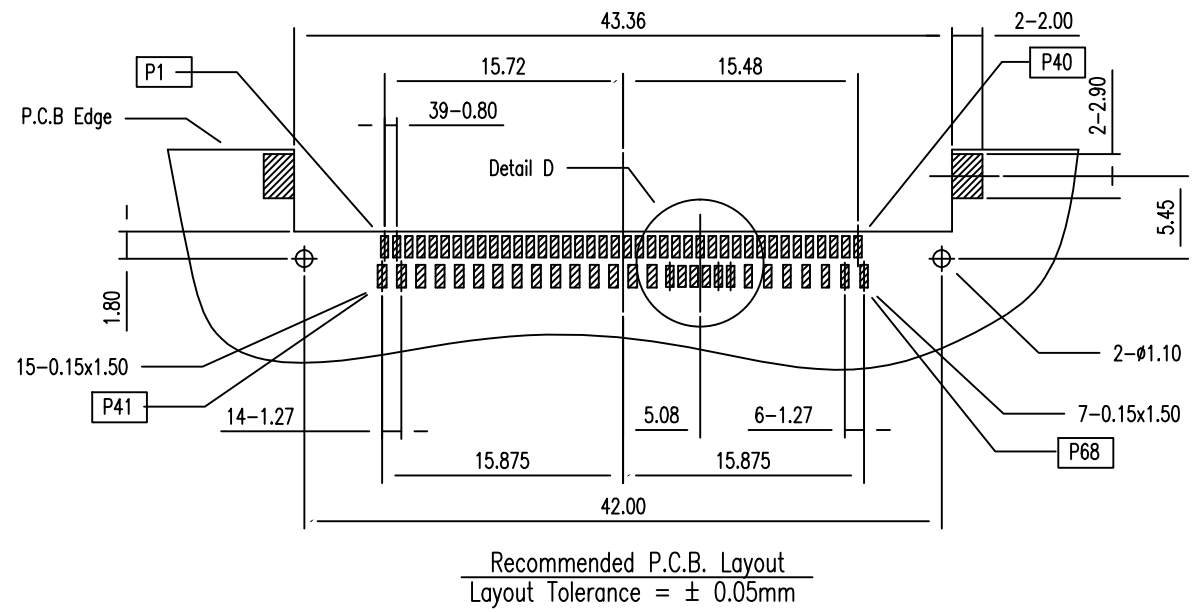


- Notes:
- Material:
 - Housing: High Temperature Thermoplastic UL 94V-0, Black
 - Terminal: Copper Alloy
 - Forklock: Copper Alloy
 - Cap: High Temperature Thermoplastic UL 94V-0, Black
 - Finished:
 - Contact: 30U'au Plating On Contact Area, Mattie Tin Plating On Solder Tail Area, Nickel Under.
 - Coplanarity: 0.10mm Max

DIMENSION ARE MILLIMETERS TOLERANCES ARE : DECIMALS .X ± 0.20 .XX ± 0.15 ANGLE: X ± 3°	APPROVALS		DATE	EVERTRON TITLE: SATA Single Port, Male Type Stand-Off 0.75 68Pin SMT Type	SIZE mm SCALE : 1 : 1 DRAWING NO. 001064 REV. A
	DRAWN	楊平邦	02/14/17		
NO	DESCRIPTION	QTY	UNIT	ID NO.	XXXXXXXXXX SHEET 1 OF 2

PART NO. 020-01-00536

REVISIONS			
LTR	DESCRIPTION	Drawing	DATE
A	新版發行	楊平邦	02/14/17



DIMENSION ARE MILLIMETERS TOLERANCES ARE : DECIMALS .X ± 0.20 .XX ± 0.15 ANGLE: X ± 3°	APPROVALS		DATE	EVERTRON			
	DRAWN	楊平邦	02/14/17	TITLE: SATA Single Port, Male Type Stand-Off 0.75 68Pin SMT Type			
	CHECKED			SIZE	SCALE :	DRAWING NO.	REV.
APPROVALS				mm	1 : 1	001064	A
<small>THE DRAFT AND DESIGN DIS-CLOSED WAS ORIGINATED BY AND IS THE PROPERTY OF Sonetek Technology Corporation, Sonetek Technology Corporation RESERVES ALL PROPRIETARY, DESIGN MANUFACTURING,REPRODUCTION,USE AND SALES RIGHTS.</small>				ID NO.	XXXXXXXXXX	SHEET 2 OF 2	

NO	DESCRIPTION	QTY	UNIT
4			
3			
2			
1			