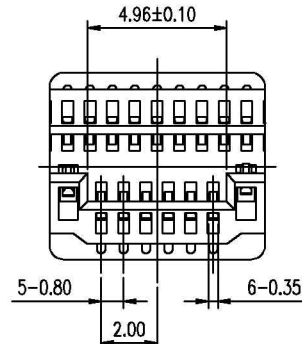
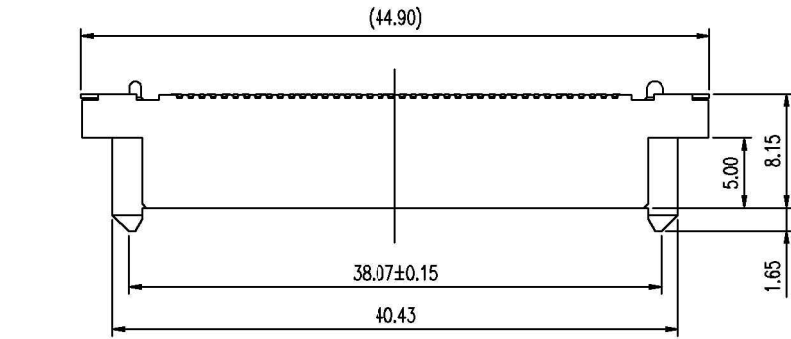


PART NO. 020-01-00535

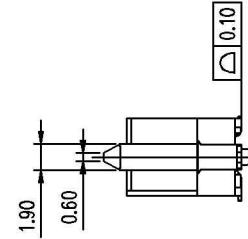
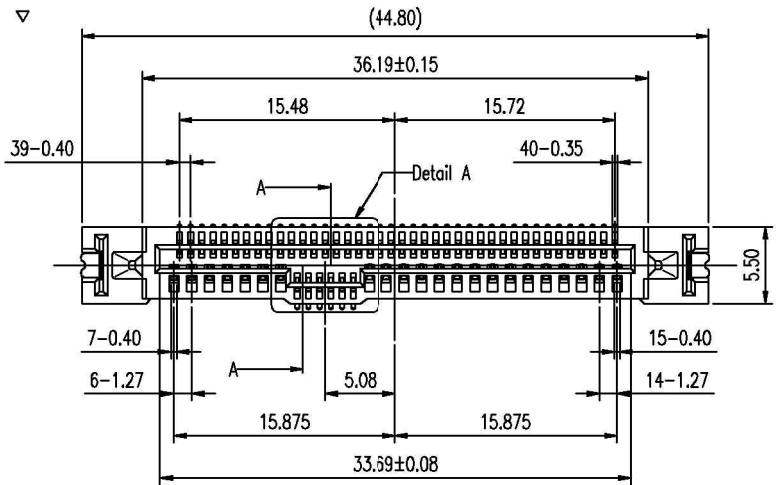
REVISIONS			
LTR	DESCRIPTION	Drawing	DATE
A	The new release	Future	02/14/17



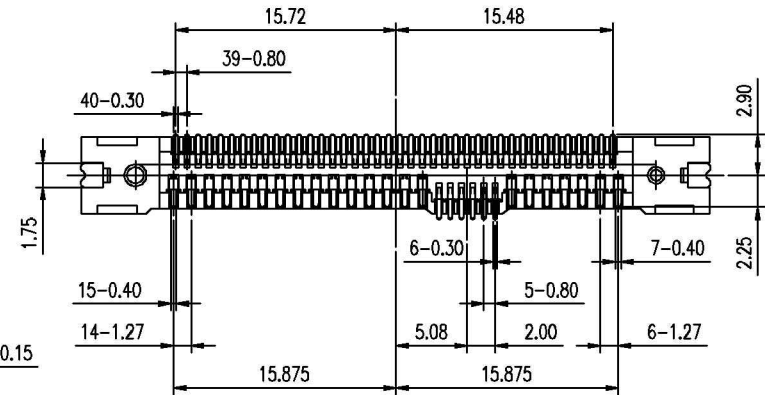
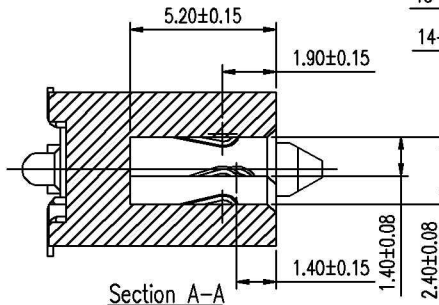
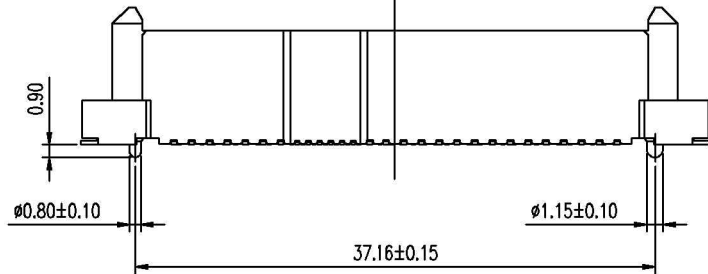
Detail A
Scale 2 : 1

Notes:

- Material:
Housing: High Temperature Thermoplastic UL 94V-0, Black
Terminal: Copper Alloy
Forklock: Copper Alloy
Cap: High Temperature Thermoplastic UL 94V-0, Black
- Finished:
Contact: 30U' Au Plating On Contact Area, Mattie Tin
Plating On Solder Tail Area, Nickel Under.
- Coplanarity: 0.10mm Max



Section A-A
Scale 2 : 1



DIMENSION ARE
MILLIMETERS
TOLERANCES ARE :
DECIMALS
.X ± 0.20
.XX ± 0.15
ANGLE:
X ± 3°

APPROVALS		DATE
DRAWN	Future	02/14/17
CHECKED		
APPROVALS		

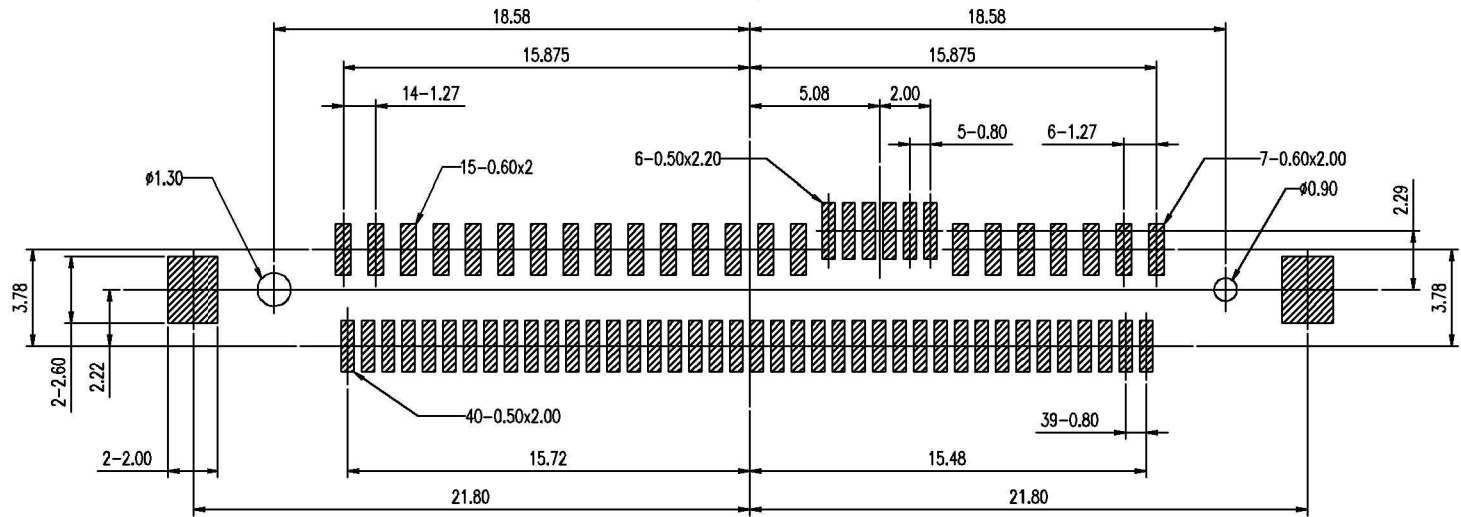
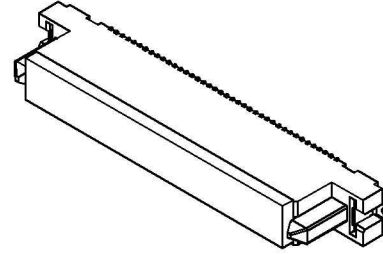
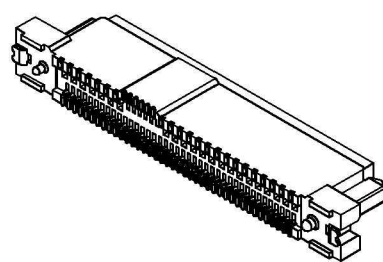
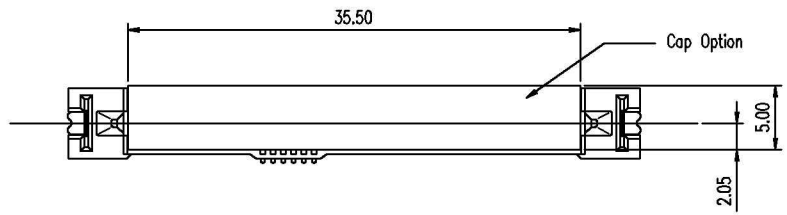
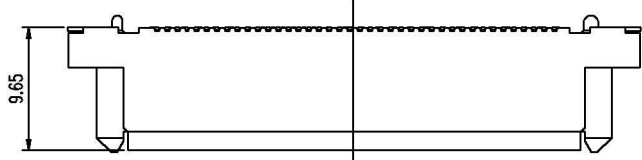
EVERTRON

TITLE:
SATA Single Port, Female Type
Conn. 68Pin SMT Angle Type

SIZE mm	SCALE : 1 : 1	DRAWING NO. 001063	A
------------	------------------	-----------------------	---

PART NO. 020-01-00535

REVISIONS			
LTR	DESCRIPTION	Drawing	DATE
A	The new release	Future	02/14/17



Recommended P.C.B. Layout
Layout Tolerance = ± 0.05mm

Scale: 2 : 1

DIMENSION ARE MILLIMETERS TOLERANCES ARE : DECIMALS .X ± 0.20 .XX ± 0.15 ANGLE: X ± 3°	APPROVALS		DATE	EVERTRON TITLE: SATA Single Port, Female Type Angle Conn. 68Pin SMT Type
	DRAWN	Future	02/14/17	
	CHECKED			
	APPROVALS			SIZE SCALE : mm 1 : 1 DRAWING NO. 001063 A
<small>THE DRAFT AND DESIGN DIS-CLOSED WAS ORIGINATED BY AND IS THE PROPERTY OF Semtek Technology Corporation. Semtek Technology Corporation. RESERVES ALL PROPRIETARY, DESIGN, MANUFACTURING, REPRODUCTION AND SALES RIGHTS.</small>				ID NO. XXXXXXXXXXXX SHEET 2 OF 2

NO DESCRIPTION