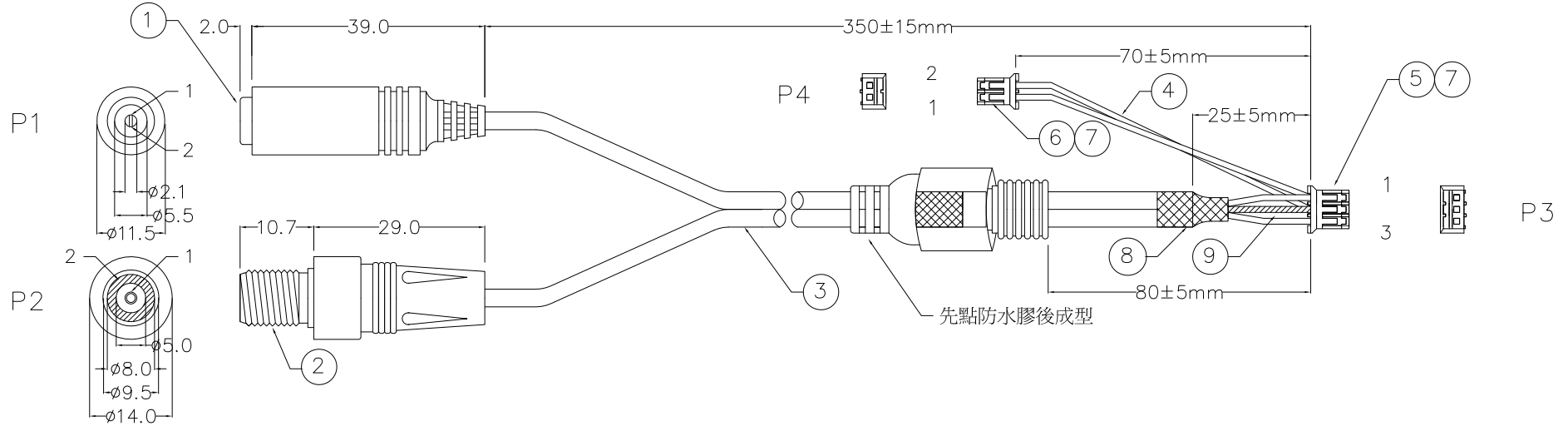


ALL MATERIALS CONFORM TO THE RoHS COMPLIANCE.

REV.	R.S. No.	DESCRIPTION	DATE



CABLE:
 CONDUCTOR: (26AWG*1C+SPIRAL SHIELD)*2F
 JACKET: PVC , OD: ø2.8*5.6mm
 COLOR: GRAY WHITE

PIN ASSIGNMENT

COLOR	P1	P2	P3	P4	NOTE	DESCRIPTION
RED	1 (26AWG)		1	1	1	ø5.5*ø2.1 DC JACK (NICKEL PLATED) 剖溝式
BLACK	2 (SHIELD)		2	2	2	F 頭 (FEMALE) CONNECTOR
BLACK		2 (SHIELD)	2		3	(26AWG*1C+S)*2F CABLE
WHITE		1 (26AWG)	3		4	UL 1061 26AWG * 2PCS CABLE
					5	P/N: CKM2001H-3P , 2.0mm*3P HOUSING
					6	P/N: CKM2001H-2P , 2.0mm*2P HOUSING
					7	P/N: CKM2001-T , 2.0mm TERMINAL * 5PCS
					8	ø5.0*20.0mm SHRINK TUBE
					9	ø1.5*25.0mm SHRINK TUBE

DRAWN	<i>Jack 5/19</i>	ETT P/N	ET - CA0210 -0003	TITLE	F 頭+DC/3P+2P HSG	ETT EVERTRON TECHNOLOGY				
	<i>Paul 5/19</i>	CUSTOMER P/N								
	APPROVED		DATE			2010 . 05 . 19	UNIT	mm	SCALE	NON