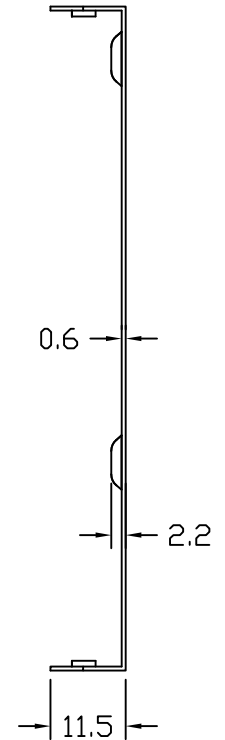
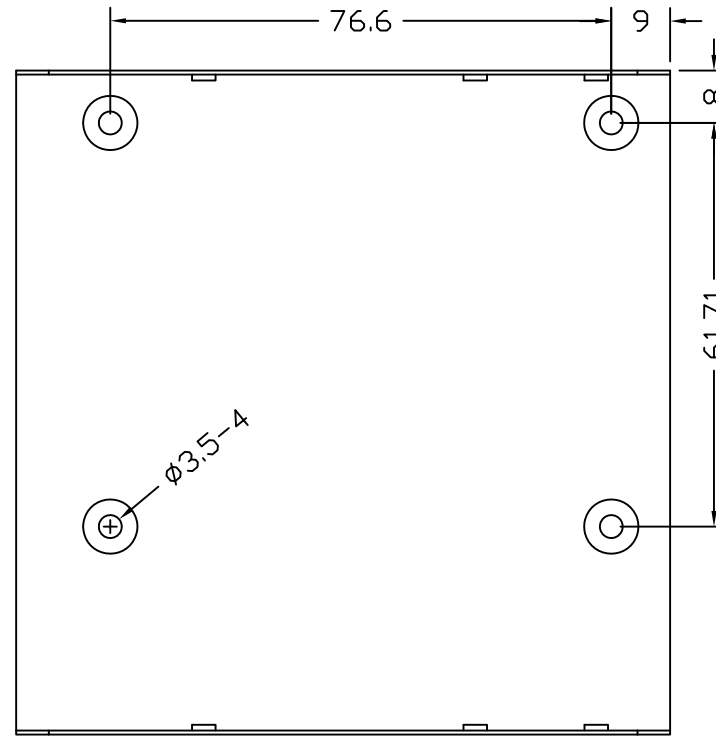
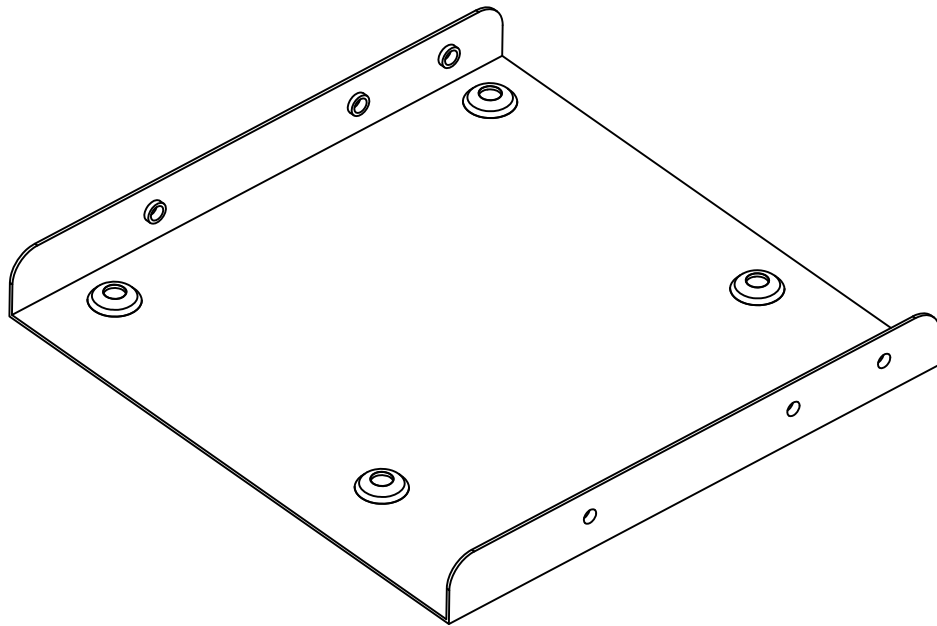


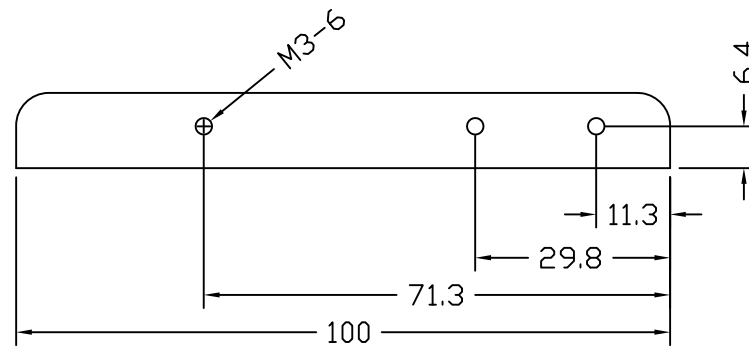
ALL MATERIALS CONFORM TO THE RoHS COMPLIANCE.

REV.	R.S. No.	DESCRIPTION	DATE



NOTES:

- 1.MATERIAL:SPCC
- 2.SURFACE TREATMENT: BLACK E-COATING
- 3.MARKING: WHITE SILKSCREEN



unit:mm	
dimension	tolerance
1~4	± 0.10
4~16	± 0.15
16~63	± 0.25
63~250	± 0.50

5	DRAWN	<i>Jack 3/30</i>	ETT P/N	ET-BRACKET-004	TITLE 2.5" to 3.5" BRACKET	ETT EVERTRON TECHNOLOGY				
	CHECK	<i>Paul 3/30</i>	CUS P/N							
	APPROVED		DATE	2011 . 03 . 30		UNIT	mm	SCALE	NON	SHEET
A		B		C		D		E		