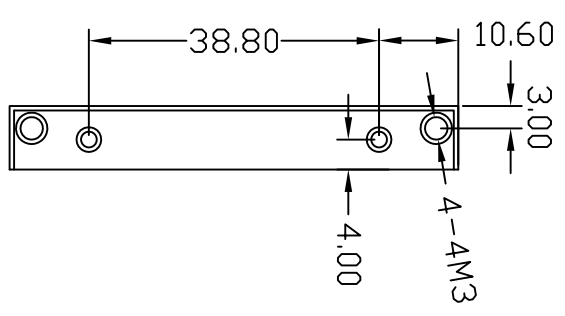
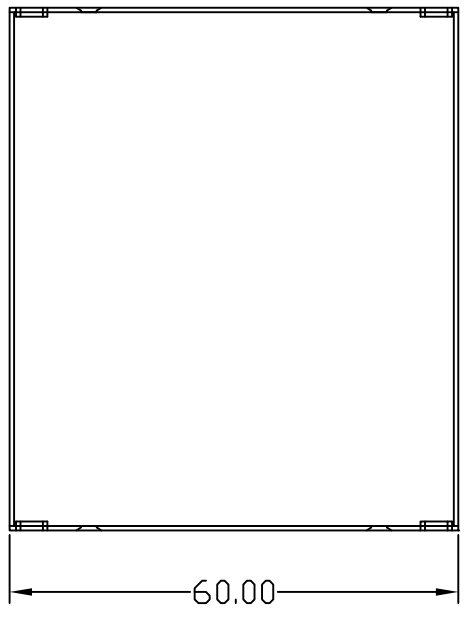
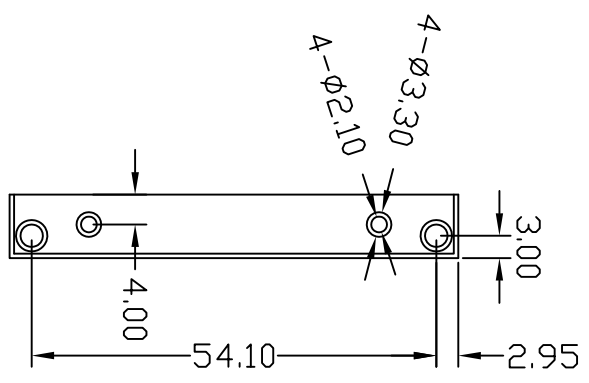
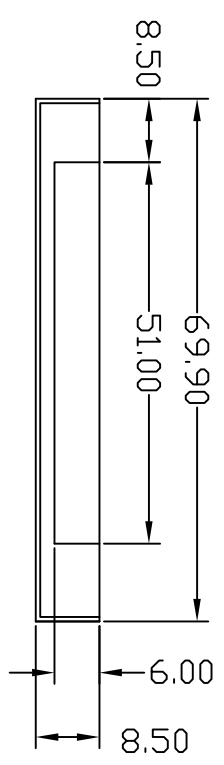


REV	11
ECN	

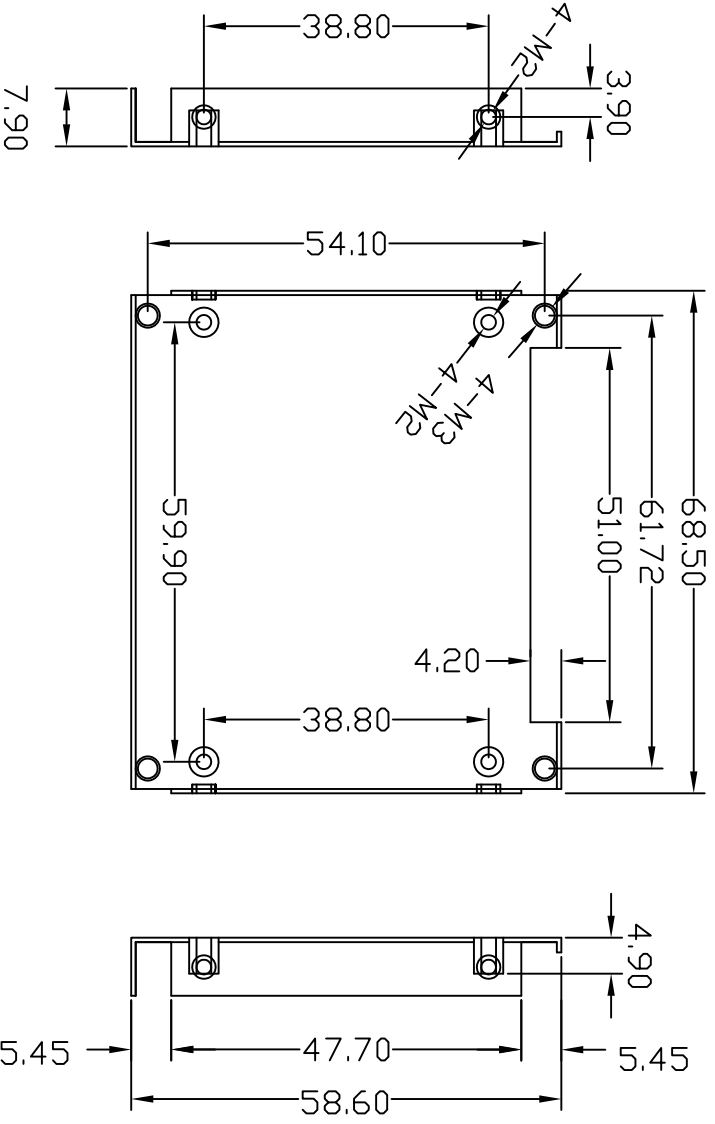
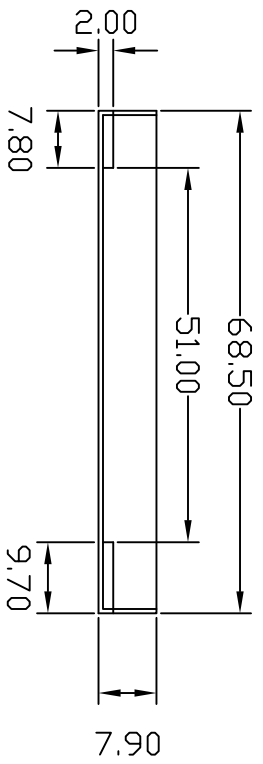


# 1.8吋 SSD-IDE-上蓋

NOTES:  
 1.MATERIAL:SPCC  
 2.SURFACE TREATMENT:BLACK PAINTING

UNIT RATIO	EVERTRON	
MM		
TOLERANCE		
X.X±		
X.XX±		
HOLE	DRAW: HONK	PART NUMBER
ANGLE	CHECK:	CASE-TB10-1
9	10	REV
PAGE 1		OF 2

REV	11
ECN	
▲	



# 1.8吋 SSD-IDE-下蓋

NOTES:

1. MATERIAL: SPCC
2. SURFACE TREATMENT: BLACK PAINTING

UNIT RATIO	EVERTRON
MM	
TOLERANCE	
X.X±	
X.XX±	
HOLE	DRAW: Honk
ANGLE	CHECK:
	PART NUMBER
	SSD CASE (bottom shell)
	CASE-BB10-1
	REV
	▲