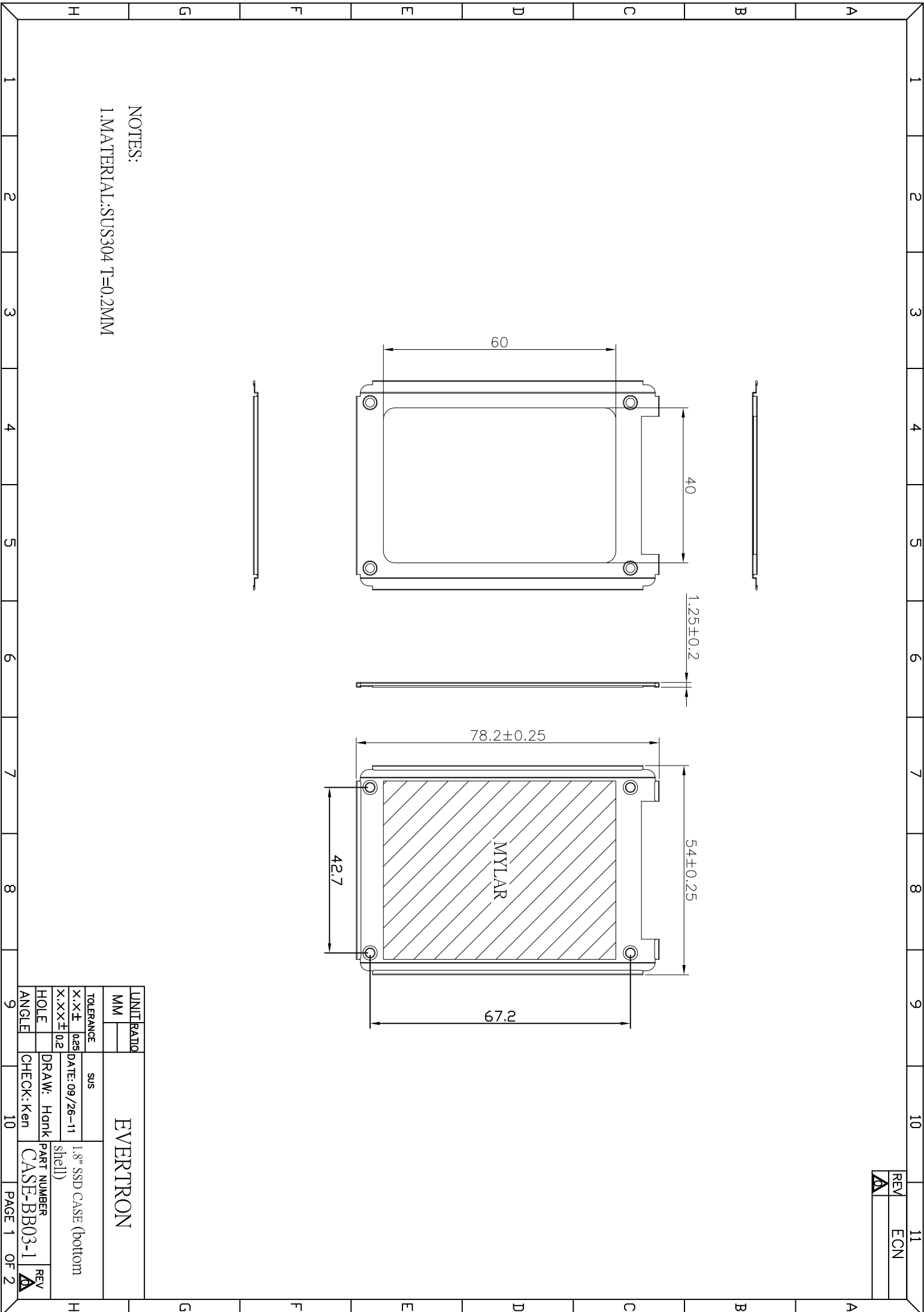


REV	11
ECN	

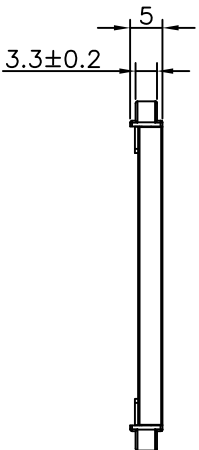
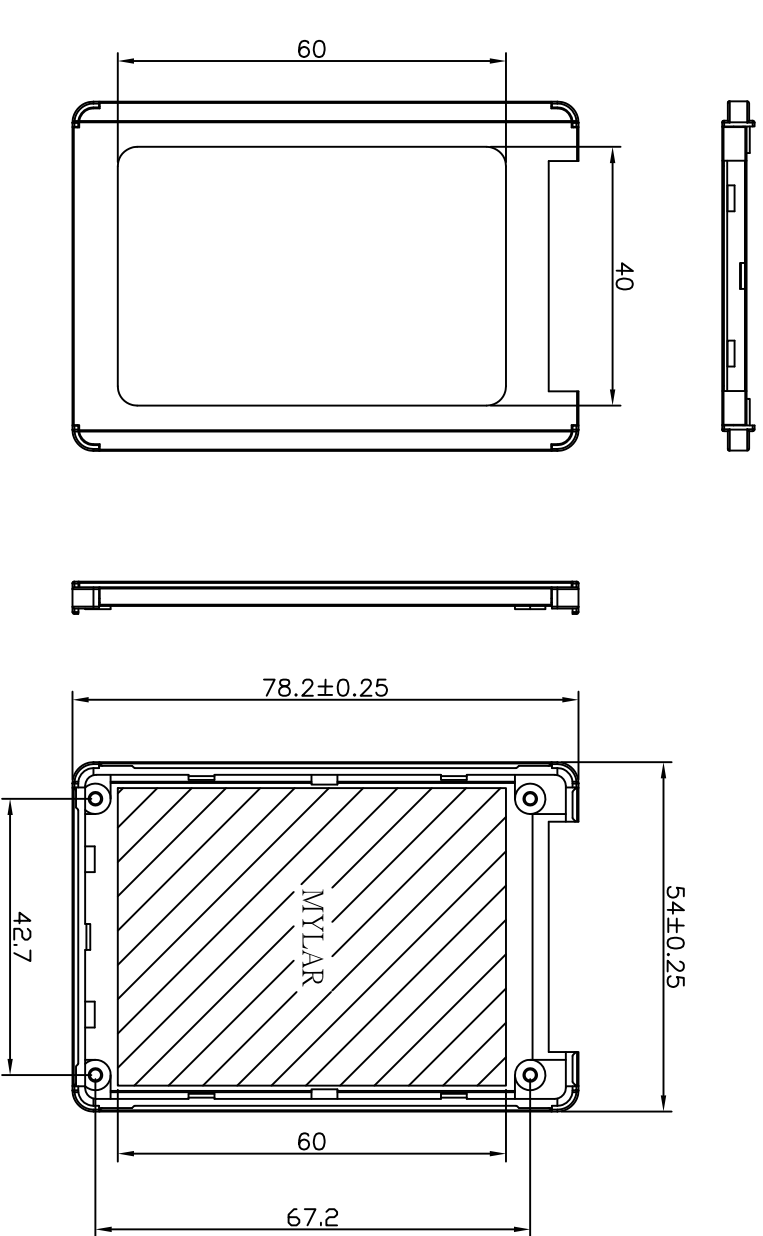


NOTES:  
1. MATERIAL: SUS304 T=0.2MM

UNIT	RATIO	EVERTRON	
MM			
TOLERANCE	SUS		
X.X ± 0.25	DATE: 09/26-11		
X.XX ± 0.2	DRAW: Honk	PART NUMBER	
HOLE	CHECK: Ken	CASE-BB03-1	
ANGLE		REV	

1.8" SSD CASE (bottom shell)  
PAGE 1 OF 2

REV	11
ECN	



NOTES:  
 1. MATERIAL: SUS304 T=0.2MM

UNIT	RATIO	EVERTRON
MM		

TOLERANCE	SUS	1.8" SSD CASE (top shell)
X.X±	DATE: 09/26-11	
X.X±		
X.X±		

DRAW:	Honk	PART NUMBER	CASE-TB03-1
CHECK:	Ken	REV	