

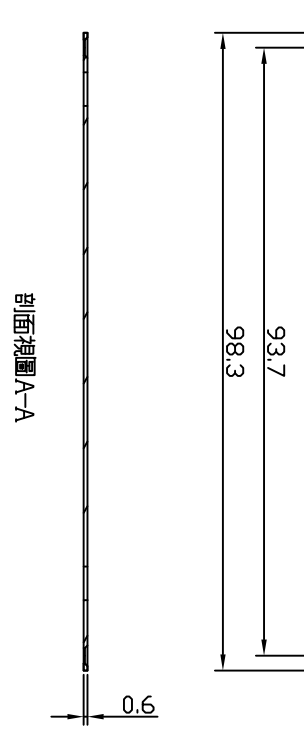
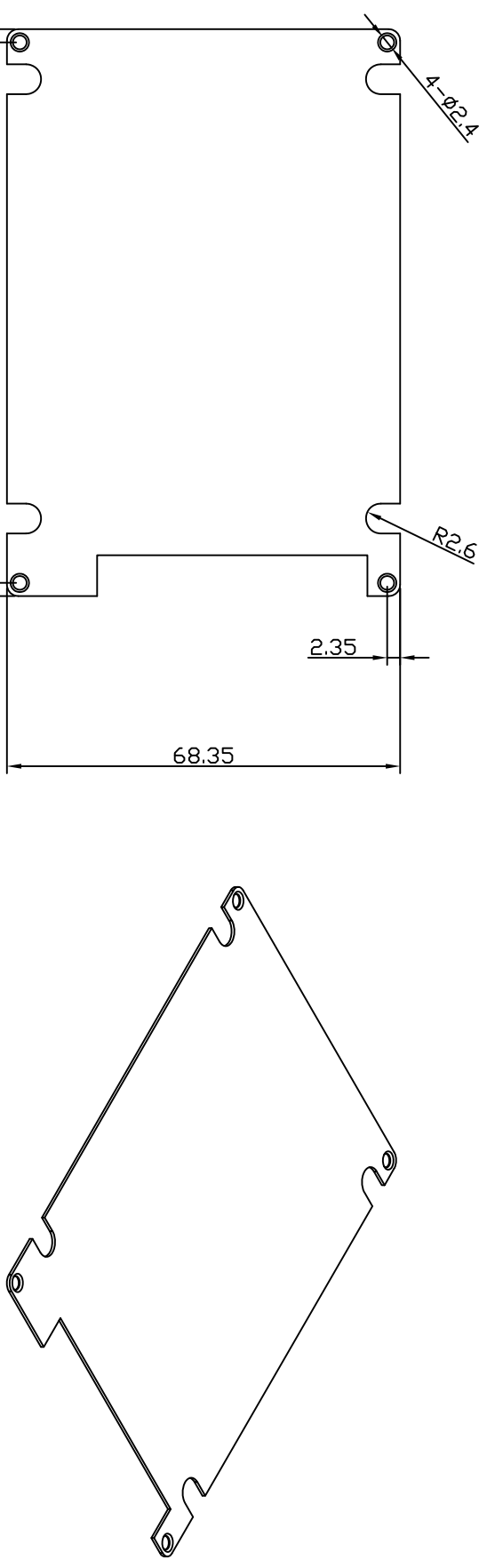
- NOTES:
1. MATERIAL: AL-ADC 12
 2. SURFACE TREATMENT: BLACK PAINTING
 3. UNLESS SPECIFIED, THE TOLERANCE IS ± 0.25 MM

UNIT RATIO		EVERTRON	
MM			
TOLERANCE		AL	
X.X ±			
X.XX ±			
HOLE		DRAW: Honk	PART NUMBER
ANGLE		CHECK:	CASE-BB03-1
			REV

SSD CASE (bottom shell)

REV	
ECN	

REV	ECN
△	



- NOTES:
- 1.MATERIAL:SUS
 - 2.SURFACE TREATMENT:BLACK PAINTING
 - 3.UNLESS SPECIFIED, THE TOLERANCE IS ± 0.25MM

UNIT RATIO	EVERTRON
MM	
TOLERANCE	SUS
X.X±	
X.XX±	
HOLE	DRAW: Honk
ANGLE	CHECK:

SSD CASE (top shell)

PART NUMBER
CASE-TB04-1

4 3 2 1

PART NO. SEE TABLE

REVISIONS			
LTR	DESCRIPTION	Drawing	DATE
A0	新產品發行	GARY	09/12/08

CUSTOMER DRAWING

剖面圖 A-A
比例 1:1

RECOMMENDED P.C. B LAYOUT
THICKNESS=1.04mm

TABLE 1

007-01-00703	GOLD FLASH	LCP BLACK	GP
007-01-00704	15 U" GOLD	LCP BLACK	GP
007-01-00705	30 U" GOLD	LCP BLACK	GP
PART NO.	PLATED	PLASTIC&COLOR	NOTE

NOTE:

- MATERIAL:
HOUSING:HIGH TEMPERATURE THERMOPLASTIC, UL94V-0, COLOR : SEE TABLE
TERMINAL:COPPER ALLOY,THICKNESS = 0.25 mm
- PLATING:
CONTACT:GOLD OVER 50u" MIN NICKEL UNDERPLATE
SOLDER TAIL:75u"MIN TIN 50u" MIN NICKEL UNDERPLATE
GOLD SPECIFICATION:SEE TABLE,
- ELECTRONICAL SPECIFICATION:
CURRENT RATING:1.5 AMPERE PER CONTACT
CONTACT RESISTANCE:30 MILLIOHMS MAX.
INSULATION RESISTANCE:1000 MEGOHMS MIN.
DIELECTRIC WITHSTANDING VOLTAGE:500 VDC.

剖面圖 B-B
比例 1:1

DIMENSION ARE MILLIMETERS TOLERANCES ARE : DECIMALS .X ± 0.30 .XX ± 0.25 ANGLE: X ± 3°	APPROVALS		DATE	EVERTRON			
	DRAWN	GARY	09/12/08	TITLE: SATA 22P 公頭夾板式			
	CHECKED			SIZE	SCALE :	DRAWING NO.	REV.
	APPROVALS			mm	1 : 1	000655	A0
NO	DESCRIPTION	Q'TY	UNIT	DO NOT SCALE DRAWING	ID NO.	XXXXXXXXXX	SHEET 1 OF 1

4 3 2 1