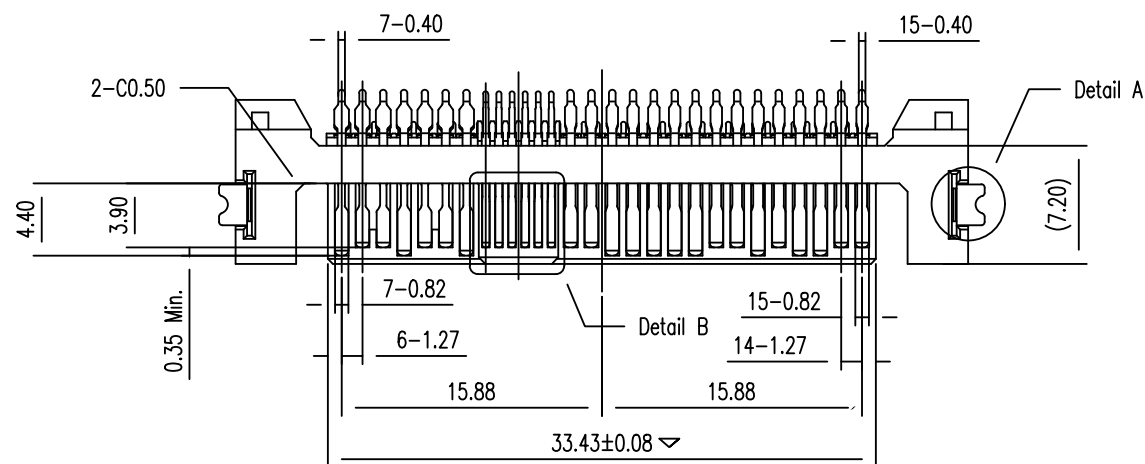


PART NO. 020-01-00536

REVISIONS			
LTR	DESCRIPTION	Drawing	DATE
A0	新發行圖面	BANG	11/29/17

CUSTOMER DRAWING

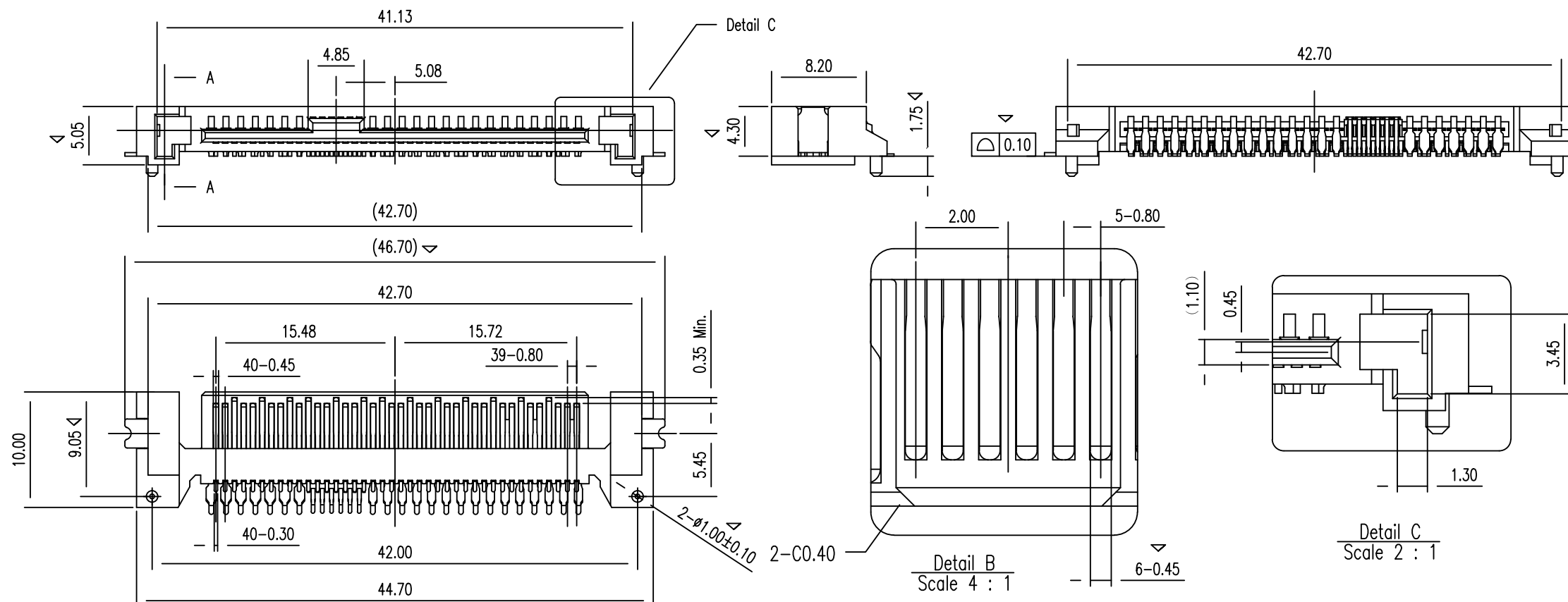


Notes:

- Material:
Housing: High Temperature Thermoplastic UL 94V-0, Black
Terminal: Copper Alloy
Forklock: Copper Alloy
Cap: High Temperature Thermoplastic UL 94V-0, Black
- Finished:
Contact: 15U' Au Plating On Contact Area, Mattie Tin
Plating On Solder Tail Area, Nickel Under.
- Coplanarity: 0.10mm Max

4.所有尺寸需FAI測量, 帶▽品管須重點管控.

Detail A
Scale 4 : 1



Detail B
Scale 4 : 1

Detail C
Scale 2 : 1

DIMENSION ARE
MILLIMETERS
TOLERANCES ARE :
DECIMALS
.X ± 0.10
.XX ± 0.05
ANGLE:
X ± 1°

APPROVALS		DATE
DRAWN	BANG	11/29/17
CHECKED		
APPROVALS		

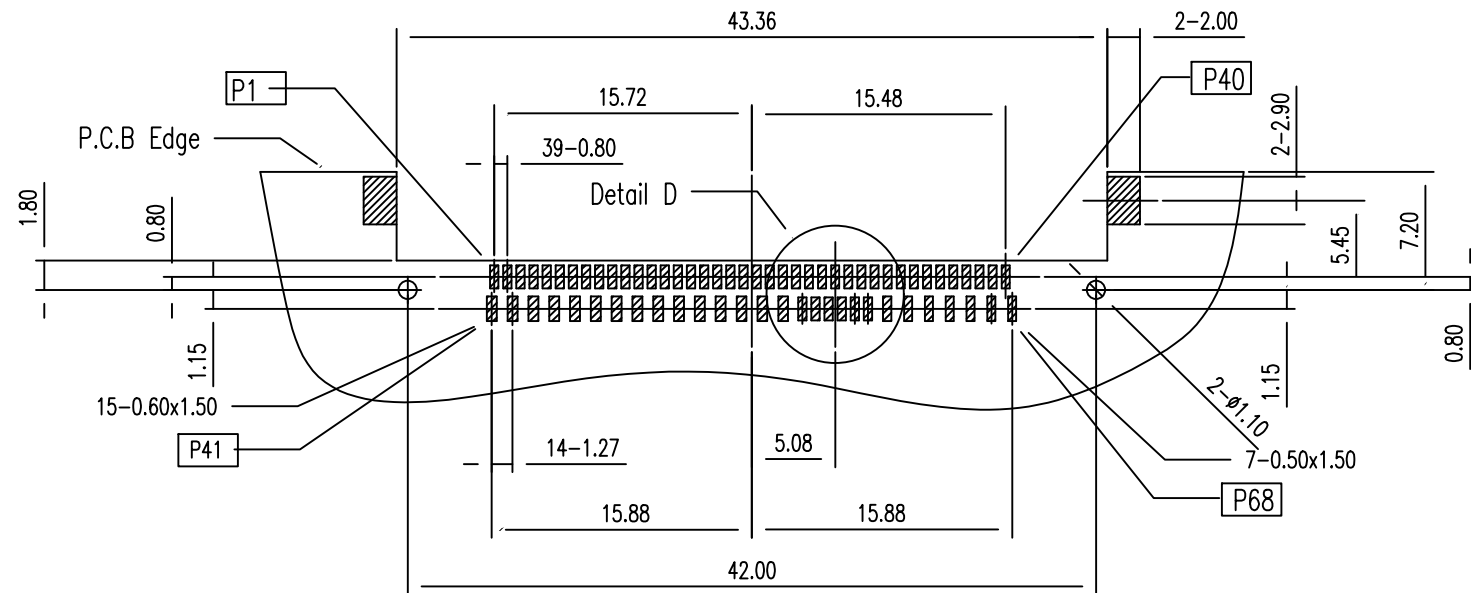
EVERTRON			
TITLE: SATA Single Port, Male Type Stand-Off 0.75 68Pin SMT Type			
SIZE mm	SCALE : 1 : 1	DRAWING NO. 001064	REV. A
ID NO.	XXXXXXXXXX	SHEET 1 OF 2	

NO	DESCRIPTION	QTY	UNIT	DO NOT SCALE DRAWING

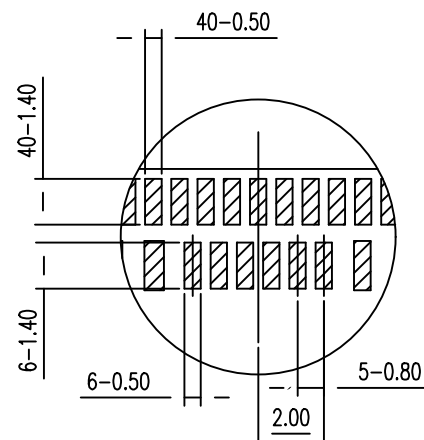
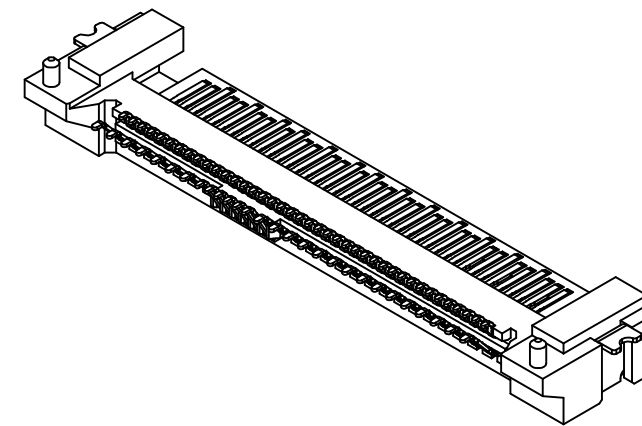
PART NO. 020-01-00536

REVISIONS			
LTR	DESCRIPTION	Drawing	DATE
A0	新發行圖面	BANG	11/29/17

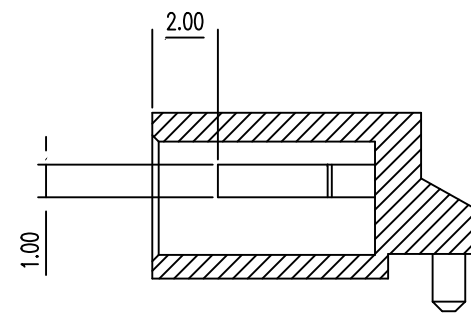
CUSTOMER DRAWING



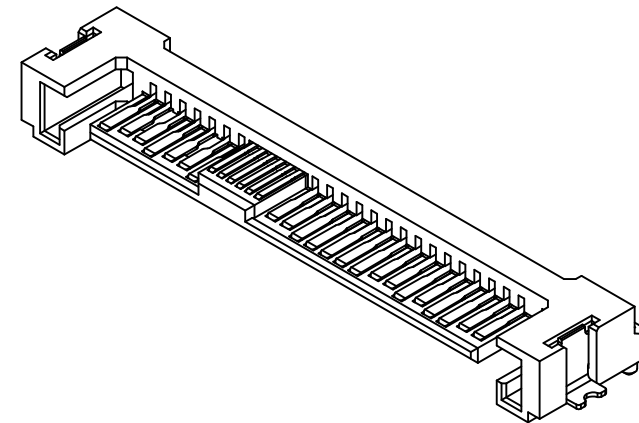
Recommended P.C.B. Layout
Layout Tolerance = ± 0.05mm



Detail D
Scale 2 : 1



Section A-A
Scale 2 : 1



DIMENSION ARE MILLIMETERS TOLERANCES ARE : DECIMALS .X ± 0.10 .XX ± 0.05 ANGLE: X ± 1°	APPROVALS		DATE	EVERTRON TITLE: SATA Single Port, Male Type Stand-Off 0.75 68Pin SMT Type
	DRAWN	BANG	11/29/17	
	CHECKED			
	APPROVALS			
SIZE	SCALE :	DRAWING NO.	REV.	
mm	1 : 1	001064	A	
ID NO.	XXXXXXXXXX		SHEET 2 OF 2	

NO	DESCRIPTION	QTY	UNIT	DO NOT SCALE DRAWING